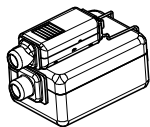
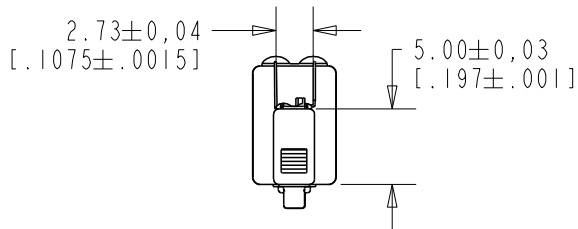
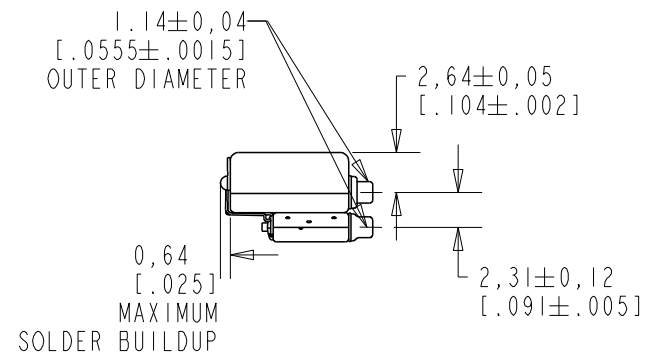
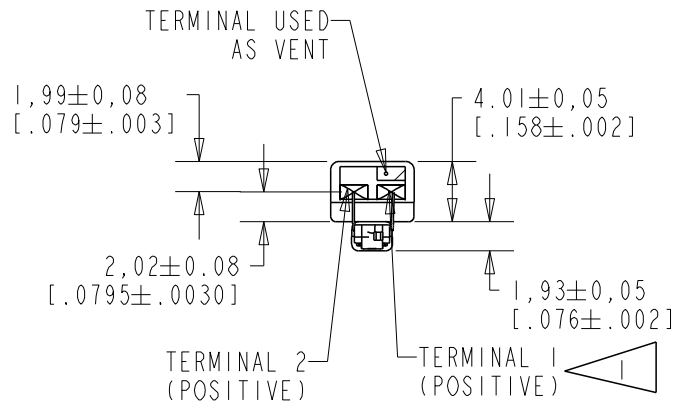
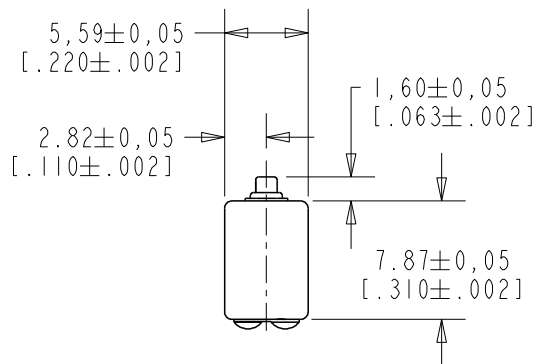


CU-32829-000

SHT 1.1

NOTES:

 A POSITIVE GOING VOLTAGE AT TERMINAL 2, RELATIVE TO TERMINAL 1, CAUSES A DECREASE IN PRESSURE AT THE SOUND OUTLET.



NOMINAL WEIGHT  
.66 GRAM

DIMENSIONS IN MILLIMETERS [INCHES]

Revision	C.O. #	Implementation Date	RELEASE LEVEL	REVISION
			Active	A
A	PI0000621	8-11-16		

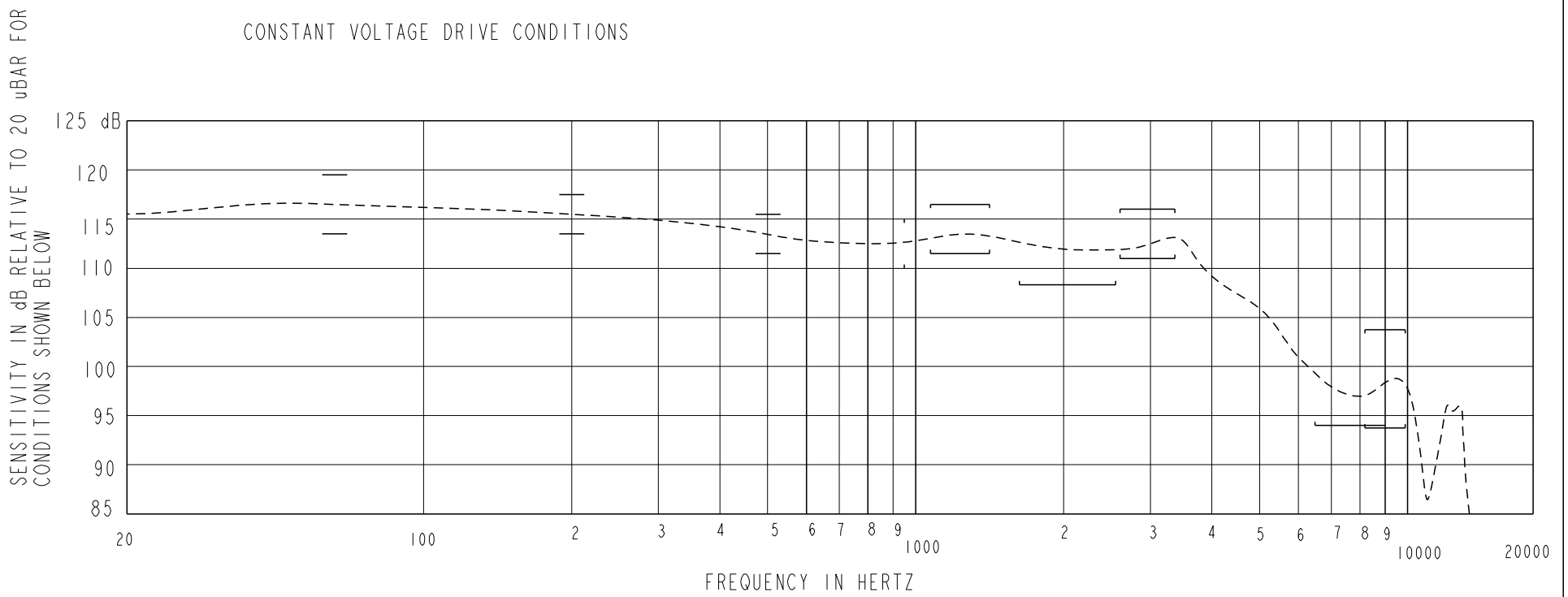
SCALE:	2:1		DR. BY	DATE
DO NOT SCALE DRAWING			NANC	8-11-16
TITLE:	RECEIVER	CU-32829-000	CK. BY	DATE
	OUTLINE DRAWING	SHT 1.1	GJP	8-11-16
			APP. BY	DATE
			GJP	8-11-16

**KNOWLES CORPORATION**

UNDAMPED MAGNETIC BALANCED ARMATURE RECEIVERS INTENDED FOR USE AS THE HIGH AND LOW FREQUENCY DRIVERS IN A Hi Fi SYSTEM. THE GU RECEIVER COMBINES A FK AND BK RECEIVERS COUPLED THROUGH A CIRCUIT TO PROVIDE THE RESPONSE SHAPE.

GU-32829-000

SHEET 2.1



**ACOUSTICAL**

**SENSITIVITY**

DEVICE WILL PRODUCE THE SPL LISTED BELOW UNDER TEST CONDITIONS IN TABLE 3. NOMINAL SENSITIVITY AT 1kHz IS dB RELATIVE TO 20uPa. ALL OTHER VALUES IN dB RELATIVE TO THE SENSITIVITY AT 1kHz.

FREQUENCY (Hz)	MINIMUM	NOMINAL	MAXIMUM
70	0.0	+3.0	+6.0
200	0.0	+2.0	+4.0
500	-2.0	+113.5	+2.0
700-950	-3.5	-1.0	+1.5
1100-1500	-2.0	0.0	+2.0
1700-2600	-4.25	--	--
2650-3400	-2.5	0.0	+2.5
6500-9000	-19.5	--	--
8200-9900	-19.75	-14.75	-9.75

TABLE 1.

**TOTAL HARMONIC DISTORTION**

DEVICE WILL NOT EXCEED TOTAL HARMONIC DISTORTION LEVELS LISTED BELOW.

FREQUENCY (Hz)	AC DRIVE (V rms)	DC BIAS (mA)	LIMIT (%)
830	0.101	0	3
1130	0.101	0	3
500	0.3	0	3

TABLE 2.

**TEST CONDITIONS**

NOMINAL SOURCE VOLTAGE	0.101 Vrms, 0 Vdc BIAS
SOURCE IMPEDANCE	< 1 Ohm
TUBING	T-11959
COUPLER CAVITY	IEC 60318-4(711)

TABLE 3.

**ELECTRICAL**

DC RESISTANCE	16.0 OHMS ± 10%
IMPEDANCE @ 500 Hz	15.0 OHMS ± 20%
IMPEDANCE @ 1 k Hz	17.0 OHMS ± 23%

TABLE 4

ISOLATION: CASE WILL BE ELECTRICALLY ISOLATED FROM THE COIL CIRCUIT.

**MECHANICAL**

PORT LOCATION: DUAL PORT

SOLDER TYPE: SAC305 (LEAD FREE)

**TEMPERATURE**

OPERATING: SENSITIVITY AT 1K Hz WILL NOT VARY MORE THAN +1/-3 dB FROM 0°C TO 63°C

STORAGE: -40°C TO 63°C

**KNOWLES CORPORATION**

Revision	C.O. #	Implementation Date	RELEASE LEVEL	REVISION
			Active	A
A	PI0000621	8-11-16		
WHEN TEST LIMITS ARE USED TO ESTABLISH INCOMING INSPECTION ACCEPTANCE/REJECTION CRITERIA, CORRELATION OF TEST EQUIPMENT WITH KNOWLES IS ALSO REQUIRED FOR ELIMINATION OF EQUIPMENT AND TEST METHOD VARIATION				
TITLE: RECEIVER		GU-32829-000	DR. BY NANC	DATE 8-11-16
PERFORMANCE SPECIFICATION		SHT 2.1	CK. BY GJP	DATE 8-11-16
			APP. BY GJP	DATE 8-11-16