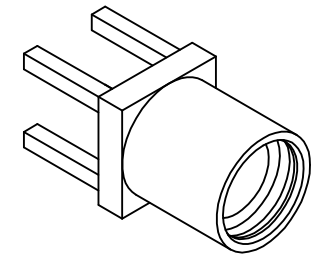
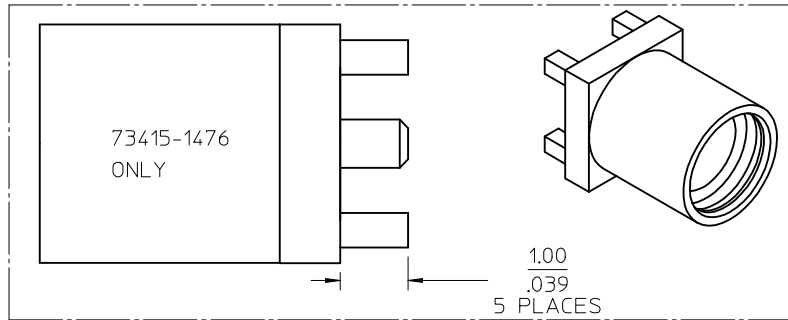


MATERIALS AND FINISHES

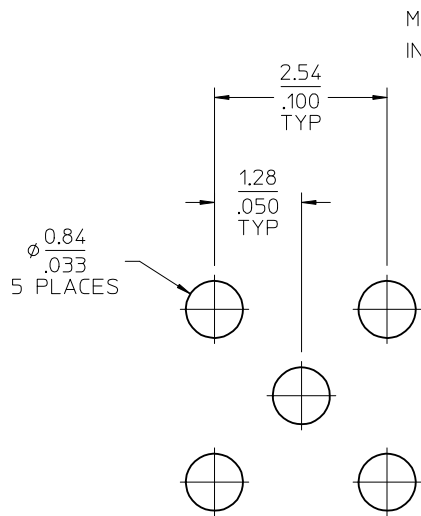
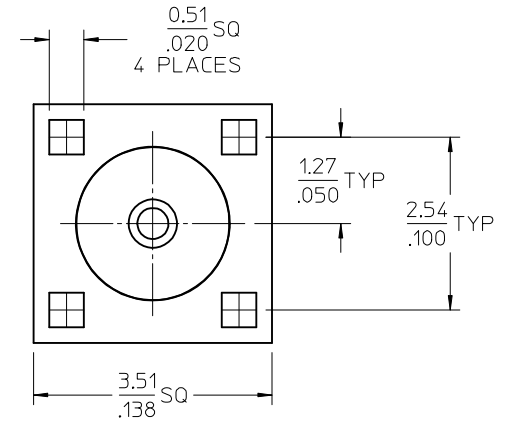
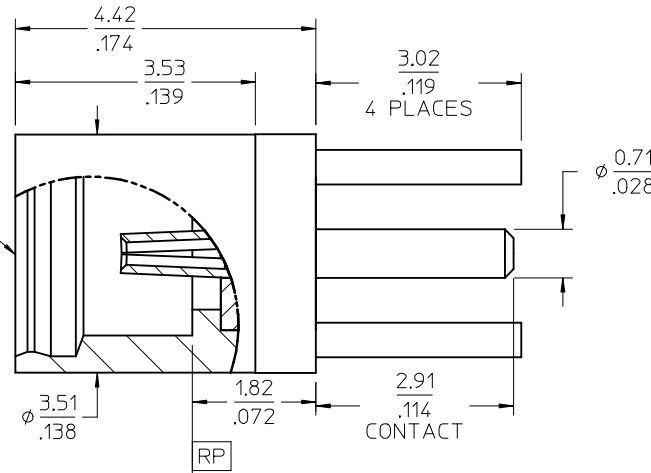
BODY SEE TABLE
PLATED SEE TABLE

CENTER CONTACT BERYLLIUM COPPER
PLATED GOLD

INSULATOR TEFLON



NOTE
PART # 73415-1473 IS
(NON-MAGNETIC)



SUGGESTED PCB LAYOUT

73415-1477	TRAY	BRASS/GOLD(PER COMMERCIAL REQUIREMENT)
73415-1476	TRAY (1.00 MM LEG LENGTHS)	BRASS/GOLD(PER COMMERCIAL REQUIREMENT)
73415-1475	P/N 73415-1471 WITH TAPE AND REEL	BRASS/GOLD(PER COMMERCIAL REQUIREMENT)
73415-1474	TRAY	BRASS/GOLD(PER COMMERCIAL REQUIREMENT)
73415-1473	BULK	BeCu/GOLD (NON MAGNETIC)
73415-1472	P/N 73415-1471, ONE PER BAG	BRASS/GOLD(PER COMMERCIAL REQUIREMENT)
73415-1471	BULK	BRASS/GOLD(PER COMMERCIAL REQUIREMENT)
73415-1470	BULK	BRASS/GOLD(PER MILITARY REQUIREMENT)
CECC 22 340	INTERFACE	
PS-89675-1920	ELECTRO/MECH PER.	
SPECIFICATION	DESCRIPTION	
	PART NO.	PACKAGING
		MATERIAL/PLATING

CHG: ADDED -1477
PDR:14121835
EC NO: URF2015-0437
DRWN:YCHENG 2015/02/10
CHKD:
APPR:YCHENG 2015/02/10

QUALITY SYMBOLS

 GENERAL TOLERANCES (UNLESS SPECIFIED)

	mm	INCH
4 PLACES	± .005	± .0004
3 PLACES	± .005	± .0004
2 PLACES	± .005	± .0004
1 PLACE	± .005	± .0004

 ANGULAR ± 2°
 DRAFT WHERE APPLICABLE
MUST REMAIN
WITHIN DIMENSIONS

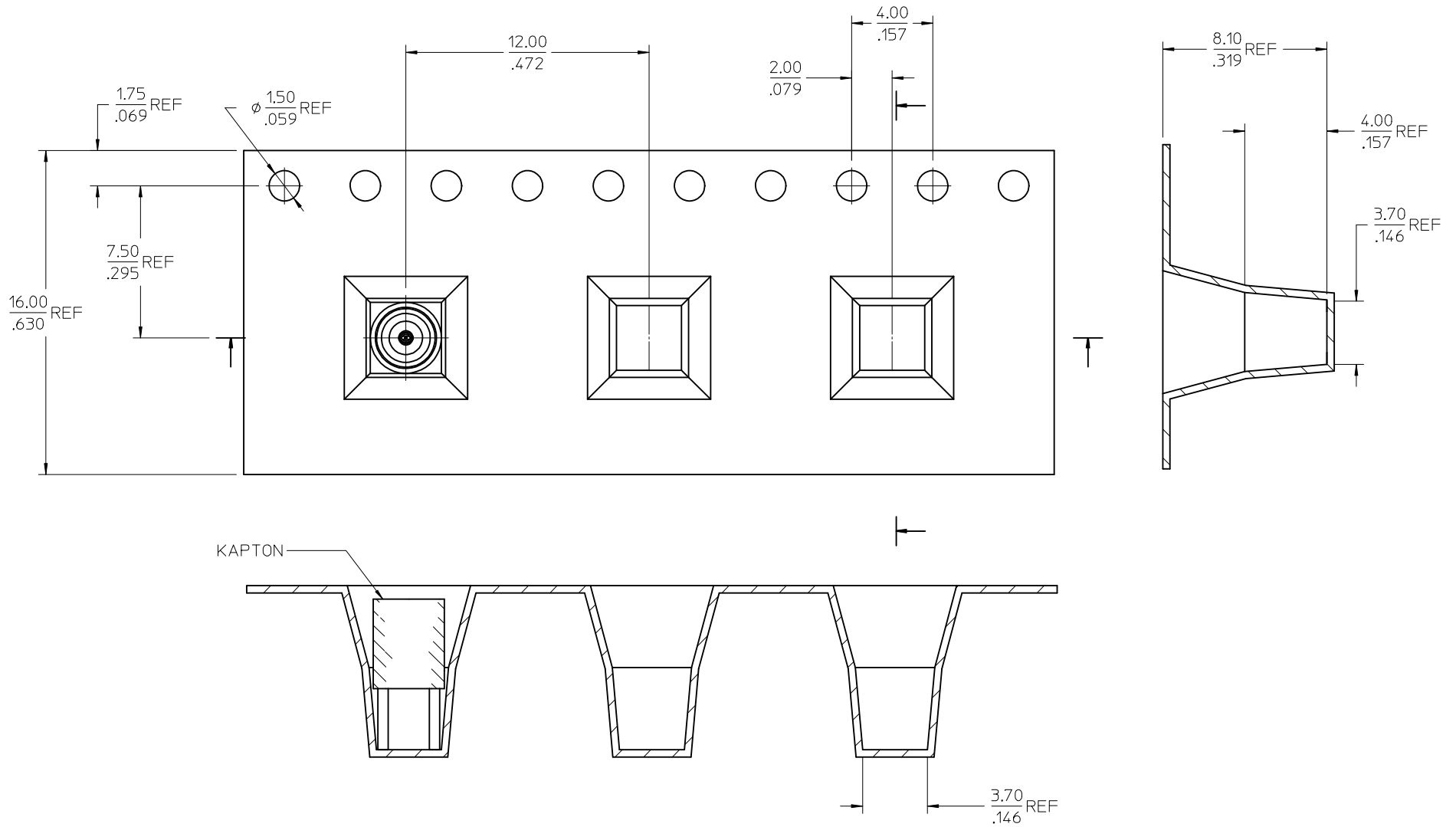
DIMENSION STYLE
MM/IN
 DRAWN BY DATE
TEF 2000/01/14
 CHECKED BY DATE
TEF 2000/01/14
 APPROVED BY DATE
GMH 2000/01/14
 MATERIAL NO.
SEE TABLE
 SIZE
C

SCALE
DESIGN UNITS
METRIC
 THIRD ANGLE PROJECTION
 TITLE
**MMCX JACK, PCB MOUNT
50 OHMS
MMCX-J/PCB**

MOLEX INCORPORATED
 DOCUMENT NO.
SD-73415-147
 SHEET NO.
1 OF 3

NOTE

DIMENSIONS ARE PROVIDED FOR REFERENCE ONLY



KAPTON

CHG: SEE SHEET 1

EC NO: URF2015-0437

DRWN: YCHENG 2015/02/10

CHKD: YCHENG

APPR: YCHENG 2015/02/10

DESCRIPTION

QUALITY SYMBOLS

▽=0

▽=0

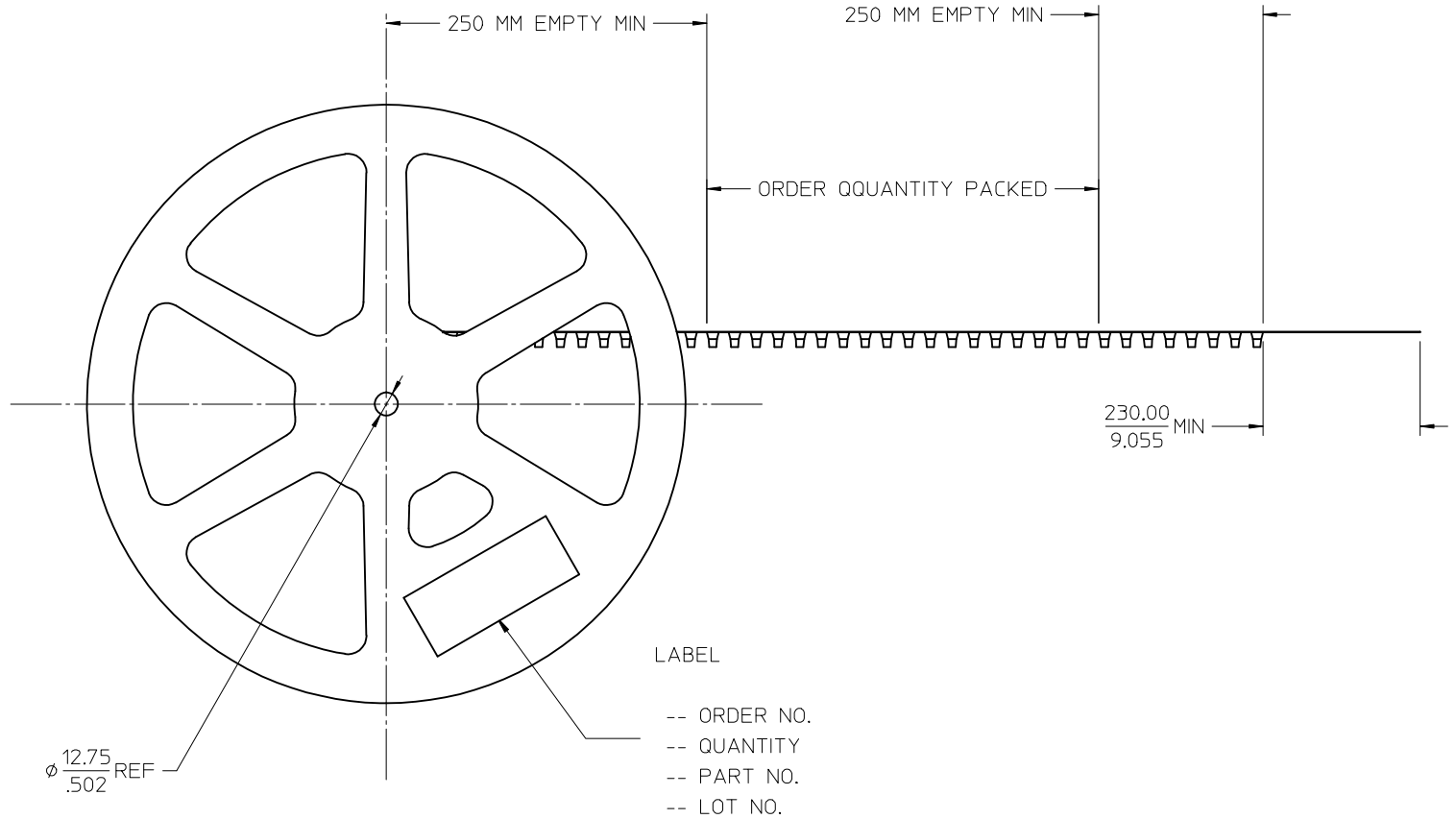
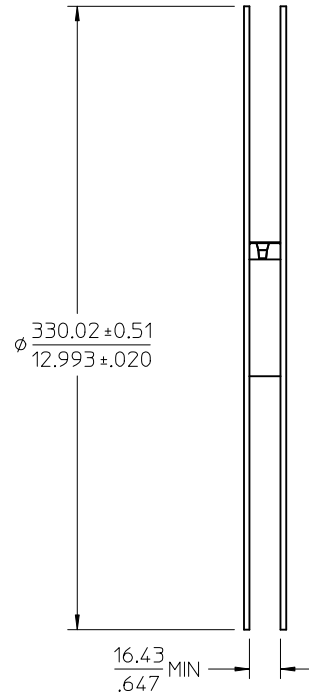
GENERAL TOLERANCES (UNLESS SPECIFIED)	
mm	INCH
4 PLACES ± .010	± .0004
3 PLACES ± .015	± .0006
2 PLACES ± .020	± .0008
1 PLACE ± .030	± .0012
ANGULAR ± 2 °	

DRAFT WHERE APPLICABLE MUST REMAIN WITHIN DIMENSIONS

DIMENSION STYLE	
MM/IN	
DRAWN BY	DATE
TEF	2000/01/14
CHECKED BY	DATE
TEF	2000/01/14
APPROVED BY	DATE
GMH	2000/01/14
MATERIAL NO.	DOCUMENT NO.
SEE TABLE	SD-73415-147

SCALE	DESIGN UNITS	THIRD ANGLE PROJECTION
METRIC	METRIC	THIRD ANGLE PROJECTION
MOLEX INCORPORATED		
TITLE		SHEET NO.
MMCX JACK, PCB MOUNT		2 OF 3
50 OHMS		
MMCX-J/PCB		

13" REEL SIZE



CHG: SEE SHEET 1
 EC NO: URF2015-0437
 DRWN: YCHENG 2015/02/10
 CHKD:
 APPR: YCHENG 2015/02/10

REV	DESCRIPTION
B10	

QUALITY SYMBOLS	
	=0
	=0

GENERAL TOLERANCES (UNLESS SPECIFIED)	
mm	INCH
4 PLACES ± .---	± .---
3 PLACES ± .---	± .---
2 PLACES ± .---	± .---
1 PLACE ± .---	± .---
ANGULAR ± 2 °	

DIMENSION STYLE		SCALE	DESIGN UNITS	THIRD ANGLE PROJECTION
MM/IN			METRIC	
DRAWN BY	DATE	TITLE		
TEF	2000/01/14	MMCX JACK, PCB MOUNT		
CHECKED BY	DATE	50 OHMS		
TEF	2000/01/14	MMCX-J/PCB		
APPROVED BY	DATE	MOLEX INCORPORATED		
GMH	2000/01/14			
MATERIAL NO.	DOCUMENT NO.	SHEET NO.		
SEE TABLE	SD-73415-147	3 OF 3		

THIS DRAWING CONTAINS INFORMATION THAT IS PROPRIETARY TO MOLEX INCORPORATED AND SHOULD NOT BE USED WITHOUT WRITTEN PERMISSION